



2018-05-21

## Specifications of CdTe mount element

(Product type no. : P1S2040410M0010)

1. Products : Schottky type CdTe mount element (commodity type)
2. General Specifications
  - 1) Material ; CdTe(Cadmium Telluride)
  - 2) Dimension ; 4 ( $\pm 0.05$ ) x 4 ( $\pm 0.05$ ) x 1 ( $\pm 0.05$ ) [mm]
  - 3) Electrodes ; Anode : In/Ti  
Cathode : Pt
  - 4) Substrate ; Alumina Type (see attach figure)
3. Electrical Specifications
  - 1) Energy resolution (FWHM)
 

Measurement Condition	:	RI ; 57Co(122keV), 241Am(59.5keV)
		Bias voltage = 700 [V] @ 23 $\pm$ 3 [°C]
Specifications	:	Not greater than 5.5 [keV] (each RI )
  - 2) Leakage Current
 

Measurement Condition	:	Bias voltage = 1 ~ 1000 [V] @ 23 $\pm$ 3 [°C]
Specifications	:	Measurement only
4. Shipping form
 

The mount elements is fixed to the conductivity foam with a adhesive tape and it put in a plastic case. It is in a wrapping with a bubble wrap, and into the metal box. It packs to the carton box.
5. Storage
 

Storage temperature ; 0 ~ 50 °C (No Condensation)
6. Submitted data
  - 1) Energy spectra for each mount element
  - 2) I-V curve for each mount element
7. Warranty
 

Within one year, we compensate the chips which appear to be out of the specifications.
8. Others
 

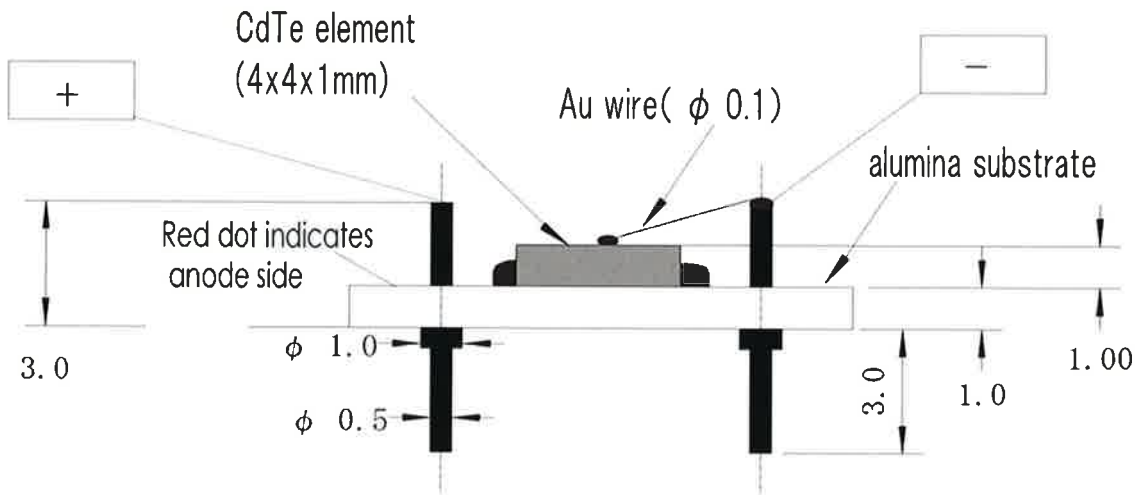
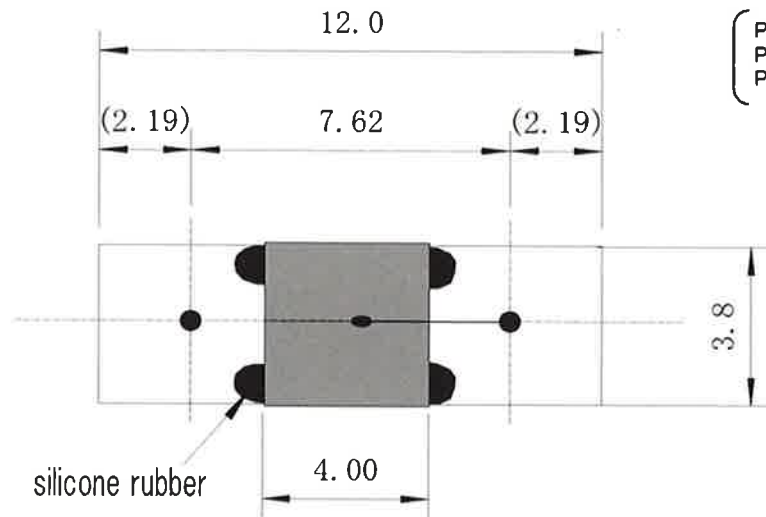
This product consists of Cadmium Telluride (CdTe). When decomposed, this material is harmful to human body. Do not take CdTe into human body in any form. When burned, chemically treated, or powdered, CdTe is decomposed and may be easily absorbed into human body.

## Standard 4x4mm CdTe assembly



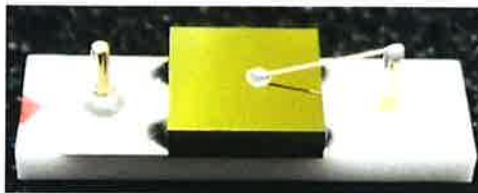
Acrorad Co., Ltd.  
 13-23 Suzaki Uruma  
 Okinawa, Japan  
 cdte.jp@acrorad.jp

Parts number  
 P1P1040410M0010  
 P1S2040410M0010



unit: mm

~ Photograph of the product ~



Information described in this sheet is current as of May 2018.  
 The specifications is subject to change without prior notice due to improvements or other reasons.  
 Before ordering, please contact us to check the updated information.