



2022-06-23

## Specifications of CdTe pixe mount element

(Product type no. : P1P1040410MP010)

1. Products : Ohmic type CdTe pixel mount element (Standard Product)
2. General Specifications
  - 1) Material : CdTe(Cadmium Telluride)
  - 2) Dimension : 4 (±0.05) x 4 (±0.05) x 1 (±0.05) [mm]
  - 3) Electrodes : Anode : Pt  
Cathode : Pt
  - 4) Pixel pattern : Pixel size --- 600 X 600 [um]  
Pixel pitch --- 1000 X 1000 [um]  
Pixel number --- 16 ( 4 X 4 )
  - 5) Substrate : FRP substrate (see attach figure)
3. Electrical Specifications
  - 1) Energy resolution (FWHM)
 

Measurement Condition : RI : 57Co(122keV) , 241Am(59.5keV)  
Bias voltage = -60 [V] @ 23±3 [°C]

Specifications : The Spectral pattern can be confirmed. (each RI )
  - 2) Leakage Current
 

Measurement Condition : Bias voltage = -1 ~-1000 [V] @ 23±3 [°C]

Specifications : Measurement only
4. Shipping form
 

The mount elements is fixed to the conductivity foam with a adhesive tape and it put in a plastic case. It is in a wrapping with a bubble wrap, and into the metal box. It packs to the carton box.
5. Storage
 

Storage temperature : 0 ~ 50 °C、 (No Condensation)
6. Submitted data
  - (1) Energy spectra for each mount element (Measure all 16ch at once )
  - (2) I-V curve for each mount element (Measure all 16ch at once)
7. Warranty
 

Within one year, we compensate the chips which appear to be out of the specifications.
8. Others
 

This product consists of Cadmium Telluride (CdTe). When decomposed, this material is harmful to human body. Do not take CdTe into human body in any form. When burned, chemically treated, or powdered, CdTe is decomposed and may be easily absorbed into human body.

Information described in this sheet is current as of June 2022.

The specifications is subject to change without prior notice due to improvements or other reasons. Before ordering, please contact us to check the updated information.

Hiroki Nakajima  
 Quality Assurance Division Manager  
 Okinawa Plant Acrorad Co.,Ltd

デジタル署名者 :  
 Nakajima Hiroki  
 日付 : 2022.06.23  
 15:27:12 +09'00'

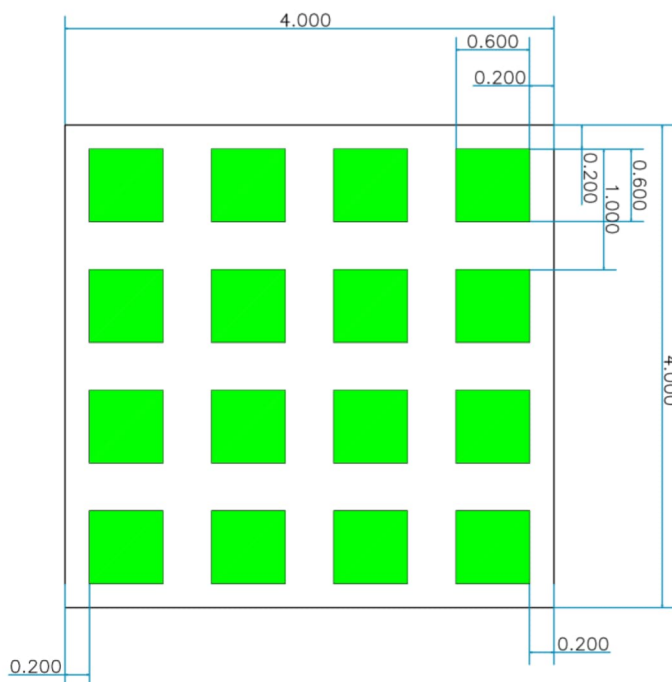
# Standard 16ch pixel CdTe assembly



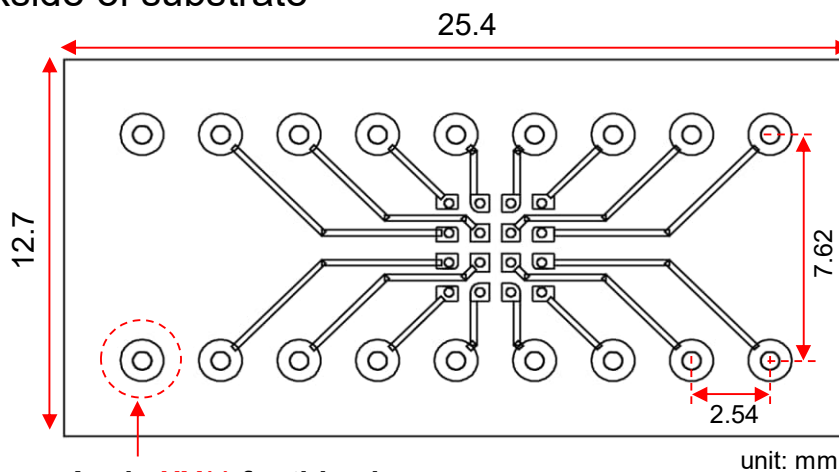
Acrorad Co., Ltd.  
 13-23 Suzaki Uruma  
 Okinawa, Japan  
 cdte.jp@acrorad.jp

Parts number  
 P1P1040410MP010

~ 16 pixel electrode pattern ~



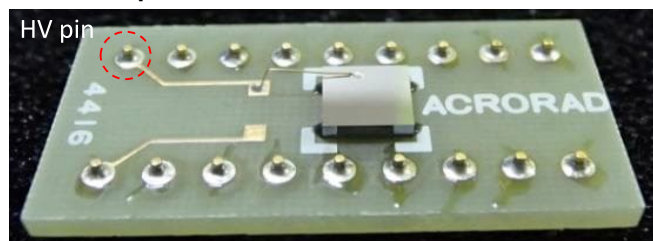
~ Backside of substrate ~



Apply HV(-) for this pin.

unit: mm

~ Photograph of the product ~



Information described in this sheet is current as of June 2022.  
 The specifications is subject to change without prior notice due to improvements or other reasons. Before ordering, please contact us to check the updated information.



## Headline of Precautions

1. Do not touch the CdTe element or HV wire. Touching it may cause a malfunction.
2. Apply a negative voltage to the HV pin to measure basic electrical characteristics.
3. When measuring the dark current or energy spectrum of each channel, set the same potential (ground) as the channel for measuring the potential of the other 15 channels. If other channels are floating, overcurrent may damage the element.
4. Make sure the connection to each pin is secure. If it is not done reliably, it will be difficult to get an accurate signal.

Please check those precautions in order to use it properly. Please be sure the warranty will not cover if it is damaged due to inappropriate use.

Acrorad Co., Ltd. Quality Assurance Division