



2022-06-23

Specifications of CdTe mount element

(Product type no. : P1S7060610MP010)

1. Products : Schottky type CdTe mount element with Guard Ring (Standard Product)
2. General Specifications
 - 1) Material : CdTe(Cadmium Telluride)
 - 2) Dimension : 6.1 (± 0.05) x 6.1 (± 0.05) x 1.0 (± 0.05) [mm]
 - 3) Electrodes : Anode : Al/Ti /Au
Cathode : Pt
 - 4) Electrode Pattern : Electrode Size --- 4.0 X 4.0 [mm]
Guard Ring Width --- 0.95 [mm]
 - 5) Substrate : (See attach figure)
3. Electrical Specifications
 - 1) Energy resolution (FWHM)

Measurement Condition : RI : 57Co(122keV) , 241Am(59.5keV)
Bias voltage = 500 [V] @ 23 \pm 3 [°C]

Specifications : The Spectral pattern can be confirmed. (each RI)
 - 2) Leakage Current

Measurement Condition : Bias voltage = 10 ~ 1000 [V] @ 23 \pm 3 [°C]

Specifications : Measurement only
4. Shipping form

The mount elements (products) is fixed to the conductivity foam with a adhesive tape and it put in a plastic case. It is in a wrapping with a bubble wrap, and into the metal box. It packs to the carton box.
5. Storage

Storage temperature : 0 ~ 50 °C、 (No Condensation)
6. Submitted data
 - (1) Energy spectra for each mount element
 - (2) I-V curve for each mount element
7. Warranty

Within one year, we compensate the chips which appear to be out of the specifications.
8. Others

This product consists of Cadmium Telluride (CdTe). When decomposed, this material is harmful to human body. Do not take CdTe into human body in any form. When burned, chemically treated, or powdered, CdTe is decomposed and may be easily absorbed into human body.

Information described in this sheet is current as of June 2022.
 The specifications is subject to change without prior notice due to improvements or other reasons. Before ordering, please contact us to check the updated information.

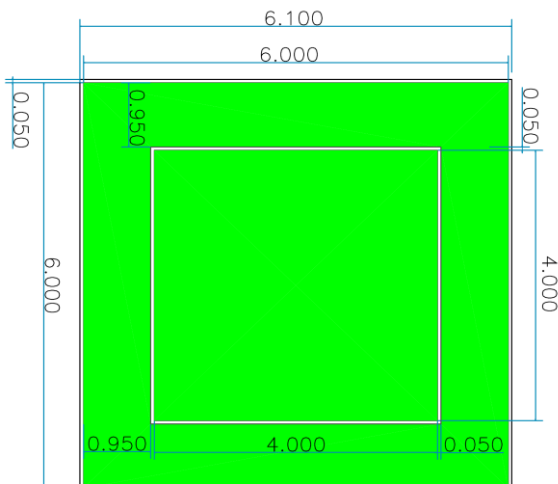
Hiroki Nakajima
 Quality Assurance Division Manager
 Okinawa Plant Acrorad Co.,Ltd

Standard pixel with GR CdTe assembly (Al Schottky type)

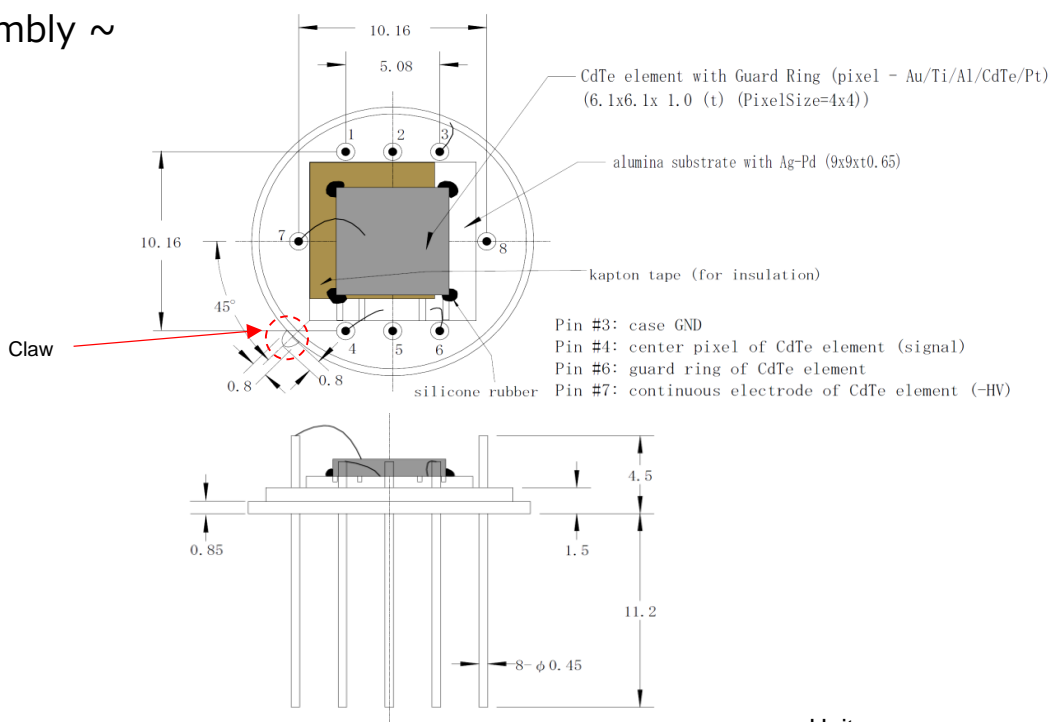


Acrorad Co., Ltd.
13-23 Suzaki Uruma
Okinawa, Japan
cdte.jp@acrorad.jp

Parts number
P1S7060610MP010

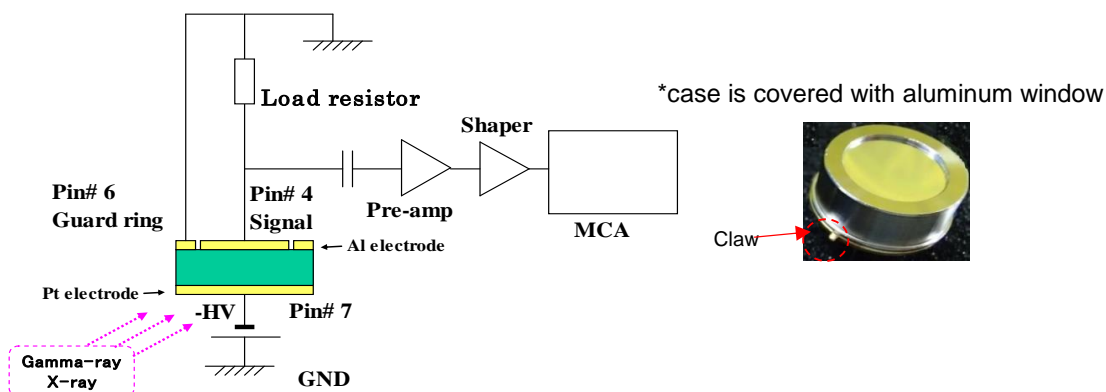


~ Assembly ~



Unit: mm

~ Electrical diagram ~



Information described in this sheet is current as of June 2022.
The specifications is subject to change without prior notice due
to improvements or other reasons. Before ordering, please
contact us to check the updated information.